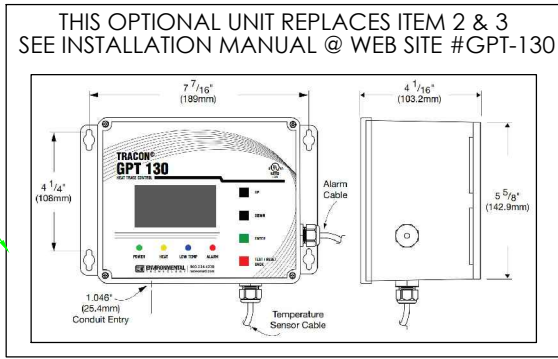


**OPTIONS FOR AMBIENT BILL OF MATERIAL**

ITEM#	OPTIONAL PART# FOR THAT DEVICE	DESCRIPTION	ZONES OPTIONS	VOLTAGE	PRICE EA. AS OF "2017"
1	MAIN POWER BOX "EXISTING" BY OTHER	THERMAL MAGNETIC TRIP BREAKER IN MAIN POWER BOX FEEDING SYSTEM	N/A	N/A	\$0.00
2	#GF12120	GROUND FAULT PROTECTION UNIT REQUIRED BY UL, PICK# OF ZONES AND VOLTAGE	1 TO 6	120V/240V	\$145.00
3	#1660-18911	AMBIENT SENSING THERMOSTAT NEMA 4X	N/A	22 amp @ 480VAC	\$249.18
3	#1660-18912	AMBIENT SENSING THERMOSTAT FM CLASS 1 DIV1	N/A	22 amp @ 480VAC	\$355.85
3	#TB261N	AMBIENT SENSING CAPILLARY TEMPERATURE CONTROLLER	N/A	22 amp 277V MAX	\$210.00
4	#PCK-P	STANDOFF POWER CONNECTION KIT WITH JUNCTION BOX - POLY	N/A	120,208,240,277	\$125.00
4	#PCK-M	STANDOFF POWER CONNECTION KIT WITH JUNCTION BOX - METAL	N/A	120,208,240,277	\$145.00
5	#PSCAB010	PIPE STANDOFF FOR HEAT CABLE WITH 1" THREAD THESE ARE INCLUDED IN THE KITS	N/A	N/A	\$18.00
5	#PSCAB075	PIPE STANDOFF FOR HEAT CABLE WITH 3/4" THREAD INCLU	N/A	N/A	\$18.00
6	#BPSCAB2-6	STAINLESS STEEL PIPE STRAPS FOR HEAT CABLES	N/A	N/A	\$3.00
7	#P212	FIBERGLASS TAPE .5" X 36 YARDS 108FT 350 DEGREES	N/A	N/A	\$18.00
8	#MLPT	HEAT TRACE CABLE TOP MOUNT MONITOR LIGHT / END SEAL	N/A	120 OR 240 VAC	\$285.00
8	#MLP	HEAT TRACE MONITORING LIGHT / END SEAL- POLY	N/A	120 OR 240 VAC	\$175.00
8	#MLM	HEAT TRACE MONITORING LIGHT / END SEAL- METAL / SINGLE OR DOUBLE HUB BOX	N/A	120 OR 240 VAC	\$195.00
8	#1556-41003	HAZARDOUS AREA MONITOR LIGHT KIT 120V METAL	N/A	120 VAC	\$245.00
8	#1556-41004	HAZARDOUS AREA MONITOR LIGHT KIT 240V METAL	N/A	240 VAC	\$271.00
9	#PTHCL	HEAT TRACE CAUTION LABELS 10 PACK	N/A	N/A	\$7.50
10	#FPT-130	SINGLE POINT FREEZE PROTECTION HEAT TRACE CONTROLLER	N/A	100 V TO 277 V	\$599.00
10	#GPT-130	SINGLE POINT GENERAL PURPOSE HEAT TRACE CONTROLLER	N/A </td <td>100 V TO 277 V</td> <td>\$799.00</td>	100 V TO 277 V	\$799.00



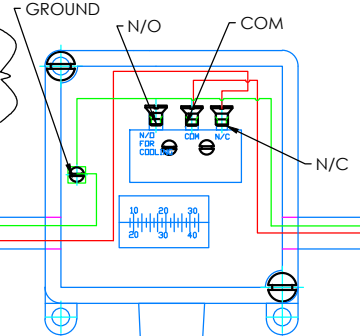
GF PROTECTION UNIT  
REQUIRED BY UL.  
SEE WIRING DIAGRAM  
ONLINE MANUALS &  
DATA SHEETS (DATA SHEET))  
30MA GFI BREAKER

MAIN POWER BOX  
THERMAL MAGNETIC  
TRIP BREAKER

(OPTIONAL)  
SEE WIRING DIAGRAM  
ONLINE MANUALS &  
DATA SHEETS  
(HEAT TRACE MONITORING LIGHT  
INSTALLATION SHEET)

SEE WIRING DIAGRAM  
ONLINE MANUALS &  
DATA SHEETS  
(STANDOFF POWER CONNECTION  
KIT WITH END SEALS INSTALLATION SHEET)

ATTACH GROUND TO  
STEEL BRAIN OF THE  
HEATING CABLE



DETAIL A  
SCALE 1:2

PIPE  
ANSI - 1 1/2 x .200 - 10.262  
REF. ONLY

UL REQUIRES CAUTION LABELS BE ATTACHED  
EVERY 10FT TO MEET CODES AND REGULATIONS.

NOTES:  
THIS IS TO SHOW HOW TO LAYOUT YOUR SELF REGULATING  
SYSTEM OR CONSTANT WATTAGE HEAT TRACE CABLES.

THIS DOCUMENT IS THE PROPERTY OF PROTHERM INDUSTRIES, AND ALL INFORMATION CONTAINED IN OR  
DISCLOSED BY THIS DOCUMENT IS THE PROPERTY OF PROTHERM INDUSTRIES. NEITHER RECEIPT NOR  
POSSESSION OF THIS DOCUMENT CONVERTS OR TRANSFERS ANY RIGHT IN, OR LICENSES  
THE USE OF THE SUBJECT MATTERS OF THIS DOCUMENT, OR ANY DESIGN OR TECHNICAL  
INFORMATION SHOWN THEREON. THIS DOCUMENT IS TO MAINTAINED AS CONFIDENTIAL BY  
THE RECIPIENT AND SHALL NOT BE COPIED OR DUPLICATED IN ANY MANNER WITHOUT  
EXPRESS WRITTEN CONSENT. PROTHERM INDUSTRIES P.O. BOX 8448 HERMITAGE, TN 37078

REVISIONS				Office Phone: (615) 834-4044 FAX: (615) 834-5834
NO	DATE	BY		
1			<b>AMBIENT SENSING INSTALLATION INSTRUCTIONS</b>	DRAWN BY: <b>J.COLE</b> SCALE: <b>NTS</b> COMPUTER: <b>N/A</b> CHECKED: <b>S.BARNEY</b> DATE: <b>11/1/17</b> DRAWING NUMBER: REVAMPED: <b>J.COLE</b> APPROVED: <b>S.BARNEY</b> <b>SELF-REG_HI</b>
2				
3				
4				
5				
6				