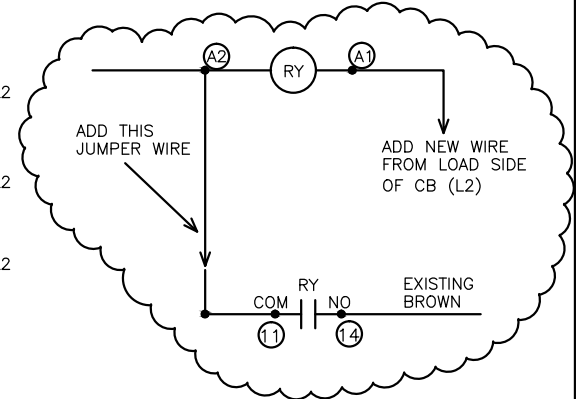
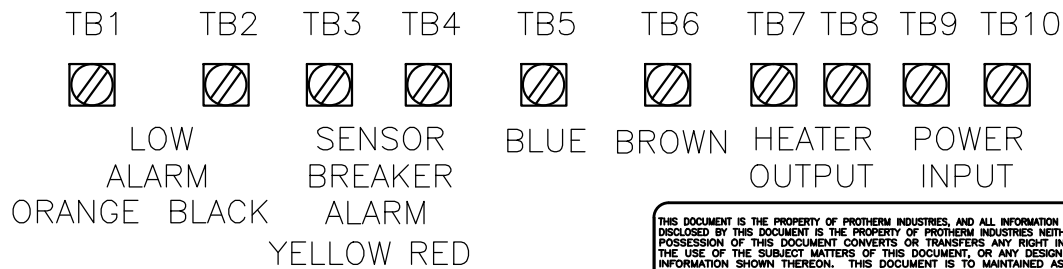


MODIFICATION USING POWER RELAY



TERMINAL BLOCK ON PANEL
LEFT TO RIGHT



THIS DOCUMENT IS THE PROPERTY OF PROTHERM INDUSTRIES, AND ALL INFORMATION CONTAINED IN OR DISCLOSED BY THIS DOCUMENT IS THE PROPERTY OF PROTHERM INDUSTRIES NEITHER RECEIPT NOR POSSESSION OF THIS DOCUMENT CONVERTS OR TRANSFERS ANY RIGHT IN, OR LICENSES THE USE OF THE SUBJECT MATTERS OF THIS DOCUMENT, OR ANY DESIGN OR TECHNICAL INFORMATION SHOWN THEREON. THIS DOCUMENT IS TO MAINTAINED AS CONFIDENTIAL BY THE RECIPIENT AND SHALL NOT BE COPIED OR DUPLICATED IN ANY MANNER WITHOUT EXPRESS WRITTEN CONSENT. PROTHERM INDUSTRIES P.O. BOX 8448 HERMITAGE, TN 37078

REVISIONS			ProTherm Industries Heating Elements Plus.com		Office Phone: (615) 834-4044
NO	DATE	BY			FAX: (615) 834-5834
1	.	.			
2			NAME		
3			HEAT TRACE PANEL		
4			ELECTRICAL SCHEMATIC		
4			DRAWN BY J.COLE	SCALE NTS	COMPUTER N/A
5			CHECKED S.BARNEY	DATE 10/9/18	DRAWING NUMBER
6			REVAMPED J.COLE	APPROVED S.BARNEY	HT-001